



The SunWize SW-SP Series solar modules: 40W, 30W, 20W, 10W and 5W (l to r).

SunWize® SW-S05P – SW-S40P

High performance solar modules for industrial applications

The SunWize SW-SP solar modules deliver top-quality performance for all photovoltaic applications including telemetry, communications, security, rural electrification, water pumping and general battery charging. The SW-SP series can be used in single-module and multiple module installations. Each module consists of 36 solar cells (except the 5W which has 34 cells), connected in series providing sufficient voltage for battery charging under extreme high temperatures. The modules are manufactured according to the strict requirements of international and US quality standards. 25-year limited warranty.

Features include:

- The glass surface is impact resistant and allows maximum light transmission.
- Polycrystalline solar cells are encapsulated and bonded to the glass in multiple layers of ethylene vinyl acetate (EVA) and laminated with a white Tedlar™ backing insuring long life in severe environmental conditions.
- A weather resistant junction box accommodates all wiring methods including moisture-tight strain relief connectors and electrical conduit. Bypass diodes insure reliable operation.
- Anodized aluminum tubular frames add strength and durability. Frames come with predrilled mounting holes.

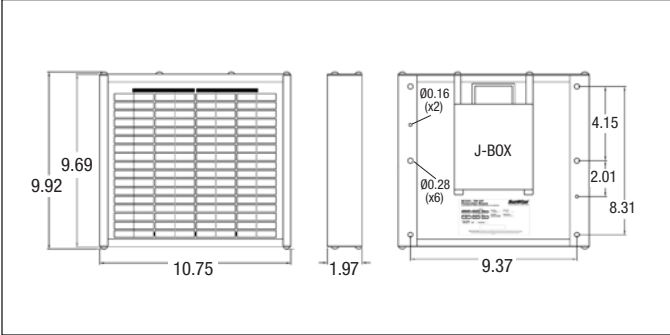
Model	Rated Power (Watts)	Rated Voltage (Vmp)	Rated Current (Imp)	Open Circuit Voltage (Voc)	Short Circuit Current (Isc)	Series Fuse Rating (A)
SW-S05P	5	16.5V	0.30A	20.5V	0.33A	1A
SW-S10P	10	17.4V	0.57A	22.0V	0.62A	2A
SW-S20P	20	17.4V	1.15A	22.0V	1.25A	3A
SW-S30P	30	17.4V	1.72A	22.0V	1.88A	4A
SW-S40P	40	17.4V	2.30A	22.0V	2.50A	5A

Standard Test Conditions (STC):
1000 W/m², 25°C, AM 1.5

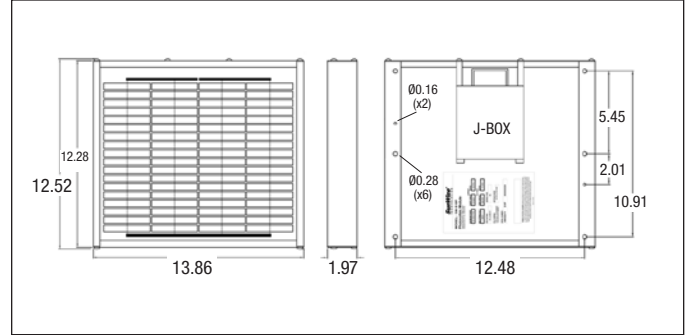
Electrical / Thermal Parameters

Max System Voltage	50Vdc
Fire Class Rating	Class C
Voltage Temperature coefficient (Voc)	-0.35%/C
Current Temperature coefficient (Isc)	0.065%/C
Power Temperature coefficient (Pmax)	-0.5%/C
Peak Power Tolerance	+/-10%

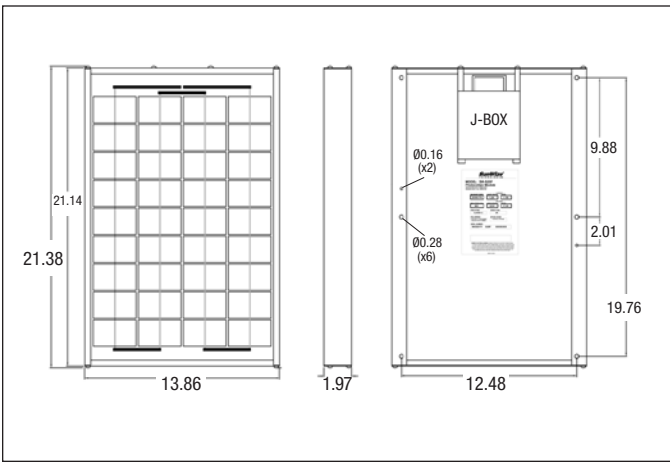
Mechanical Specifications



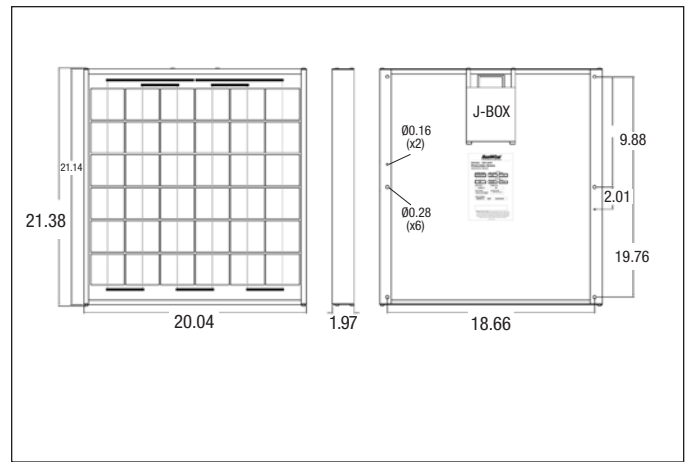
SW-S05P – 5 watt module



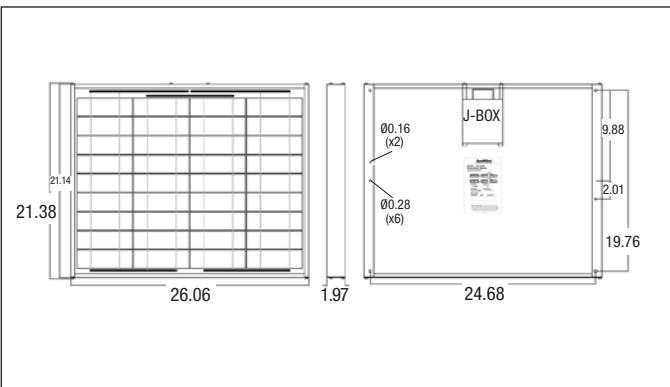
SW-S10P – 10 watt module



SW-S20P – 20 watt module



SW-S30P – 30 watt module



SW-S40P – 40 watt module